

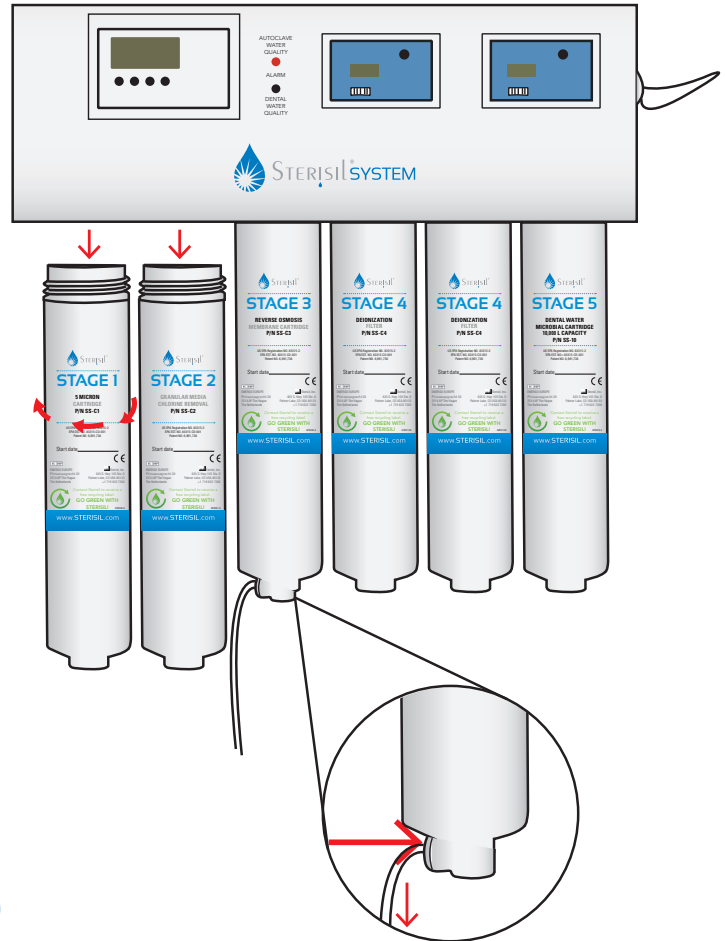
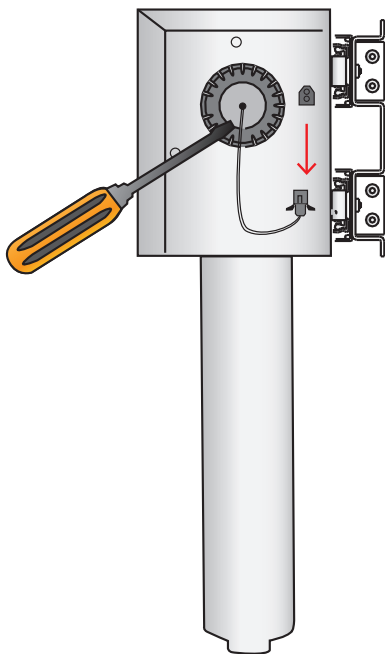
Annual Kit Replacement Instructions

Stages 1, 2, 3 and the UV Light (SS-AK)

1 Unscrew Stage 1 and 2 cartridges. Water flow will stop automatically.

2 Remove the drain line on Stage 3 before unscrewing the cartridge. Push down on the compression fitting and pull out on the drain tube.

Dispose of cartridges in regular trash disposal



3 Unplug the UV Light plug from the System.

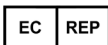
Use a flat head screw driver to pry out the grey/clear piece to pop out the UV bulb.

Insert new bulb and click into place.
IMPORTANT: Do not touch the bulb.
Grease from hands can cause damage to lamp.

NOTE: After installing the new cartridges and UV light, please read the Monitor Reset Instructions to properly reset the Filter Monitor



Sterisil, Inc.
835 S. Hwy 105 Ste. D
Palmer Lake, CO USA 80133
+1 719 622 7200



EMERGO EUROPE
Prinsessegracht 15
2514 AP The Hague
The Netherlands

For more information contact your **Sterisil® sales representative or local dealer.**

719 622 7200 or online at Sterisil.com

