



Sterisil® Ac+ Technical Specifications

KEY FEATURES:



Distilled Quality Water Production



Ultraviolet Treatment



Audible and Visual Alarms

SPECIFICATIONS:

- Size: 20"W x 18"H x 5.5"D
- Weight dry: 22 lbs
- Weight wet: 24 lbs
- Source water temperature: 45–100°F, 7–38 °C
- Source TDS: 0–500ppm
- Source pressure: 65–85psi / 4.5–6bar
- Max serviceable chairs: 200, subject to water usage and facility
- Produces up to 190L per day of RO or DI water

SPACE REQUIREMENTS:

- Minimum mounting space:
 - » **Hinged:** 20"W x 22"H x 7"D
 - » **Slide:** 38"W x 22"H x 6.5"D**
- Recommended height is to place the top of the system 64" AFF.
- Booster pump and pre-filter:
 - » Booster pump: 7"H x 4"D (Recommended if source PSI < 65)
 - » Pre-filter: 12"H x 5"D (Recommended)
- Tank dimensions:***
 - » 4G: 15"H x 12"D
 - » 10G: 21"H x 13"D
 - » 14G: 23"H x 15.25"D



PART NUMBERS:

Note: Complete system includes: system housing, tubing, cartridges, faucet, 4gal tank, and autoclave wand.

Part #	Description
Ac+	Complete system for up to 200 operatories
Optional/Add-On Components	
SS-BP	Booster pump. For builds with <65PSI source pressure
SS-Pre-Kit	Pre-Filter Kit (12 filters, filter housing and bracket)
SS-BT10	10gal bladder tank
SS-BT14	14gal bladder tank

ELECTRICAL REQUIREMENTS:

- One quad outlet located above the system and within 3' horizontally.
- 110V AC, 3 amp, GFCI

PLUMBING REQUIREMENTS:



No copper plumbing may be used downstream from the system.

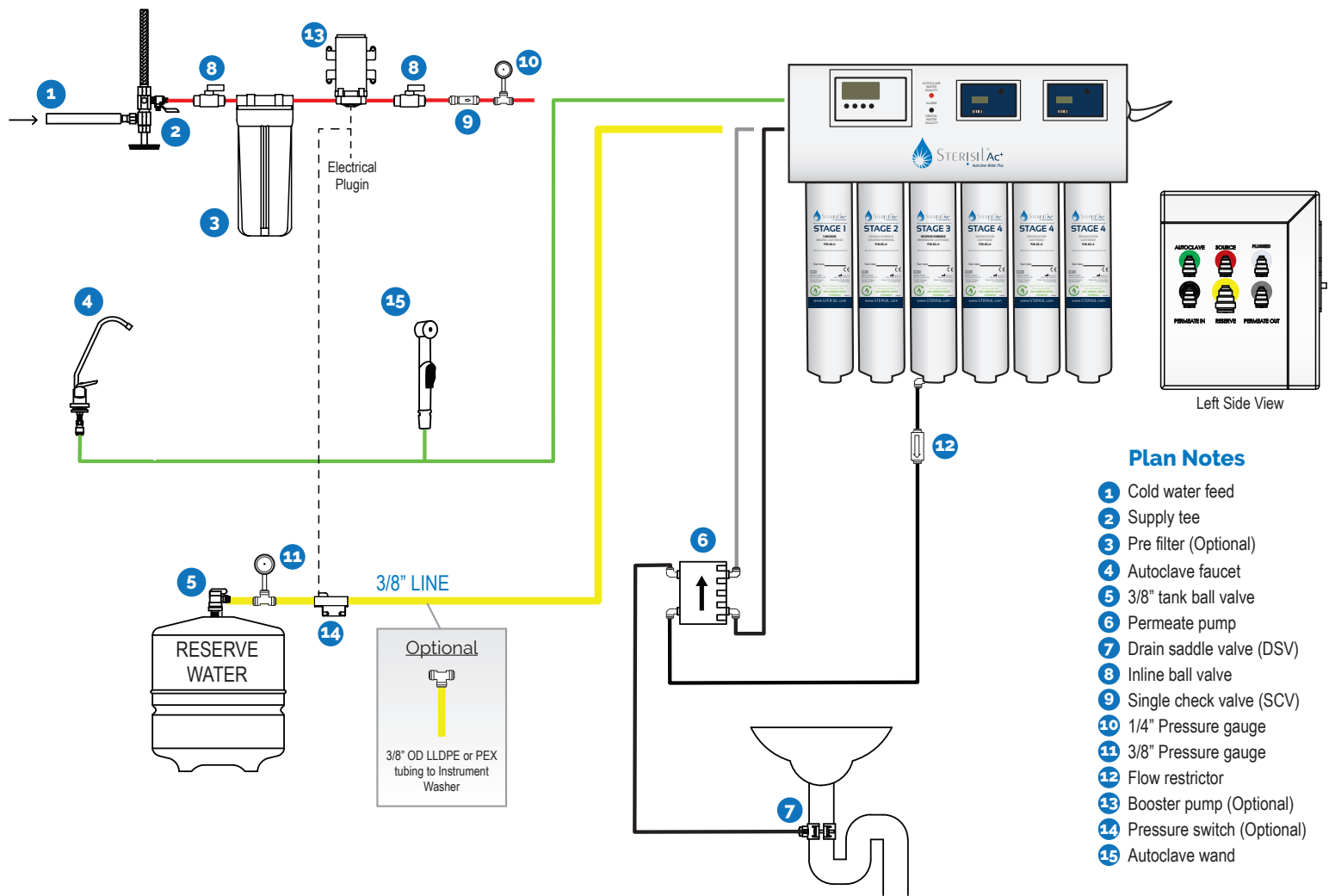
- Use of 1/4" OD LLDPE or PEX tubing.
- Standard sink or floor drain within 20' of the system and not above height of system.
- Valve controlled tee off the municipal source for 1/4" tubing within 10' of the system.
- Backflow prevention in accordance with state and local ordinances should be installed.
Not provided.

For more information contact your **Sterisil® sales representative or local dealer.**

719 622 7200 or online at Sterisil.com



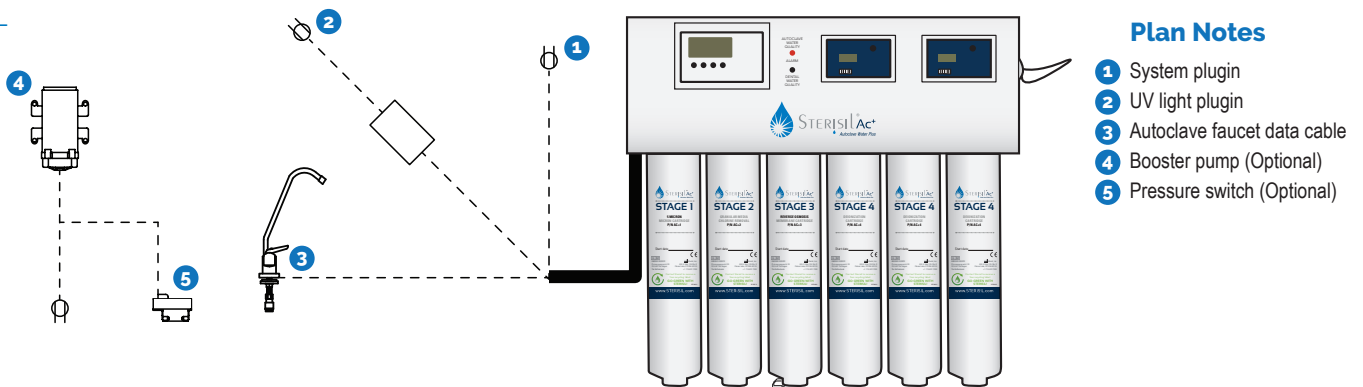
OVERVIEW



Plan Notes

- 1 Cold water feed
- 2 Supply tee
- 3 Pre filter (Optional)
- 4 Autoclave faucet
- 5 3/8" tank ball valve
- 6 Permeate pump
- 7 Drain saddle valve (DSV)
- 8 Inline ball valve
- 9 Single check valve (SCV)
- 10 1/4" Pressure gauge
- 11 3/8" Pressure gauge
- 12 Flow restrictor
- 13 Booster pump (Optional)
- 14 Pressure switch (Optional)
- 15 Autoclave wand

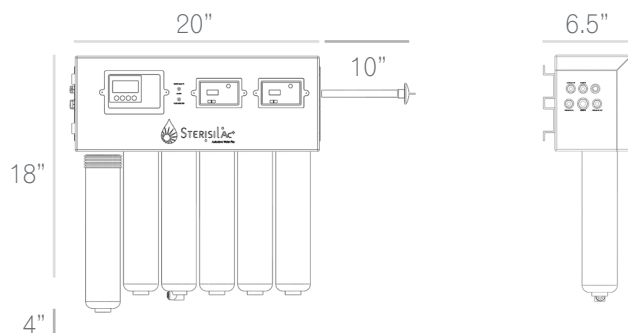
ELECTRICAL



Plan Notes

- 1 System plug in
- 2 UV light plug in
- 3 Autoclave faucet data cable
- 4 Booster pump (Optional)
- 5 Pressure switch (Optional)

DIMENSIONS



*XL Stage 4 Cartridges require an additional 2.5" of vertical space
 **The slide mount requires an additional 18" of horizontal clearance to extend fully.
 ***Tanks must be within 10' of system