



STERISIL® AC+ SYSTEM

INSTALLATION AND MAINTENANCE MANUAL

TABLE OF CONTENTS

Introduction	1
Optional Add-ons Specs	1
Before You Begin	2
Specifications	3
Overview Diagram	4
Phase 1: Unpacking and Inventory	5
Phase 2: Mounting and Peripheral Components	6
Phase 3: Cartridges	7
Phase 4: Source Water and Tubing	7
Phase 5: Electrical and Operational Test	9
Optional Add-ons	10
Maintenance Manual	12
Sterisil® Limited Warranty	14

DOCUMENTS LOCATED AT WWW.STERISIL.COM

Filter Monitor Ideal Readings and Operation

Water Quality Monitor Ideal Readings and Operation

NEED HELP OR HAVE QUESTIONS

Our technical support staff is available and ready to help. Please call, email, or visit us online for additional support.



719 622 7200



support@sterisil.com



sterisil.com

 835 S Highway 105 Suite D
Palmer Lake, CO 80133

Fax: 866 299 2495

 **WARNING:** This product can expose you to mercury, which is known to the State of California to cause birth defects or other reproductive harm. For more information go to www.P65Warnings.ca.gov.

INTRODUCTION

The ease of use and confidence that Sterisil® has brought to dental unit water line treatment now comes to the world of distilled and deionized water for use with your office's table top autoclaves and instrument washers. With a 5 stage purification process, the Sterisil® Ac+ produces up to 50 gallons of distilled quality water with <10ppm total dissolved solids (ppm TDS). Full system monitoring with audible and visual alarms make knowing when to replace cartridges worry-free. Automatic shut off valves mean that cartridge replacement is also an easy, no-spill process. The Ac+ requires only minutes of maintenance per year. Its space-saving design allows for easy installation even under sinks. Get ready to reclaim your storage space from all of those plastic jugs and containers with the Ac+!

This manual will show you how to install and maintain your new Ac+ unit and answer a few frequently asked questions that you may have. For additional support, please contact Sterisil® at (719) 622-7200 or email technical support at support@sterisil.com.

OPTIONAL ADD-ONS:

Sterisil offers optional add-ons to the Ac+ to ensure proper performance. Installation of these items can be found on pages 10-11. Optional add-ons are identified in each relevant section by the color purple. Specific requirements for add-ons must be understood before starting the installation.

ADD-ONS INCLUDE:

Optional Add-on Components	
Pre-filter Kit	(5" Dia x 12"H), Preserves and safeguards internal components as well as lifespan for the first three stages by removing sediment from incoming source water.
Booster Pump	(4" Dia x 7"H), Suggested use with source water pressure < 60 PSI
Sterisil® Wand	Autoclave must be within 10' of the system

BEFORE YOU BEGIN

INITIAL INSTALLATION CONSIDERATIONS



IMPORTANT

Sections marked with the red triangle icon contain information that must be taken into consideration before installation.

IMPORTANT TO THE OWNER

We recommend that a certified Sterisil® installer, professional technician, or plumber familiar with dental offices performs the installation because interfacing with a cold water line and drain is involved. He/she should be familiar with local plumbing codes and techniques for successful dental equipment installations.



The ultraviolet light can cause eye damage when outside of its housing. Always unplug the UV light prior to removing it from the housing.

Please keep the installation and maintenance manual on hand for future reference. Ensure those responsible for operation and maintenance of the system are familiar with all details contained in this manual. Please return the warranty registration form via mail or register online at sterisil.com/warranty immediately upon installation.

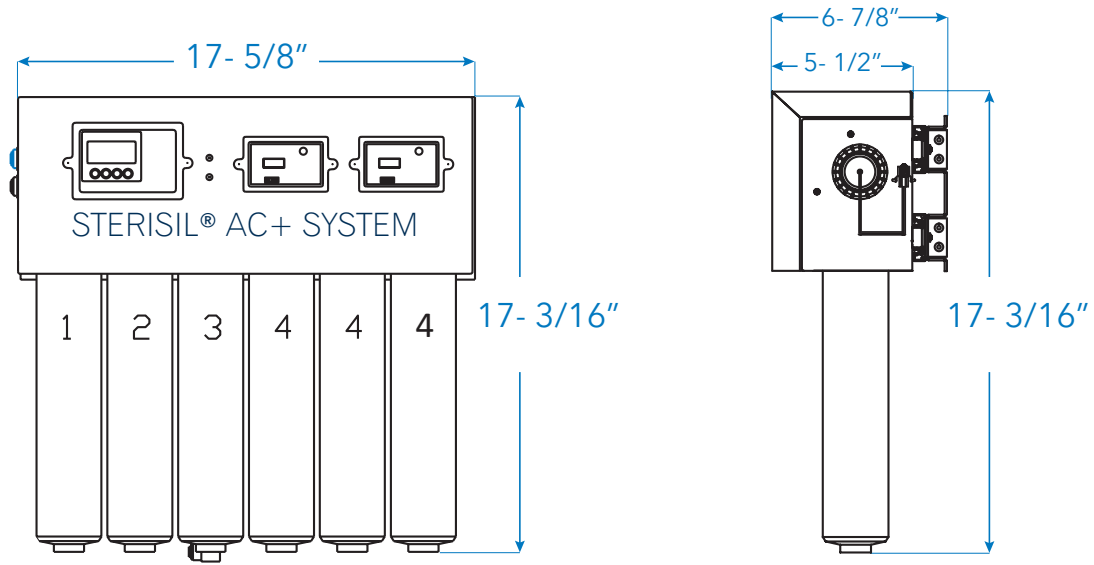
IMPORTANT TO THE INSTALLER

Please read the entire installation and maintenance manual before proceeding with the installation and initial operation. Always follow local plumbing codes and municipal regulations. Familiarize yourself with the Ac+ drawings and diagrams included.

The Ac+ can be installed nearly anywhere in the typical dental, medical, lab, or hospital setting, typically near a faucet and sink. The system and tank are designed to fit under a counter-top, but can be installed anywhere there is a quality, cold water supply and drain connection. Please locate the system's serial number on the left panel of the unit. Record the installation date on the warranty card. Please ensure you send in the warranty card or register online.

The initial set up can take up to 3–5 hours depending on customer specifications. Ensure the lengths of tubing provided will meet the needs of your specific configuration. All tubing cuts should be made at a right angle to the tubing itself. Be sure to inspect the ends for burrs before establishing a connection. If the cut is jagged, the connection will not be secure and may leak.

SPECIFICATIONS



INITIAL SETUP AND BASELINE REQUIREMENTS

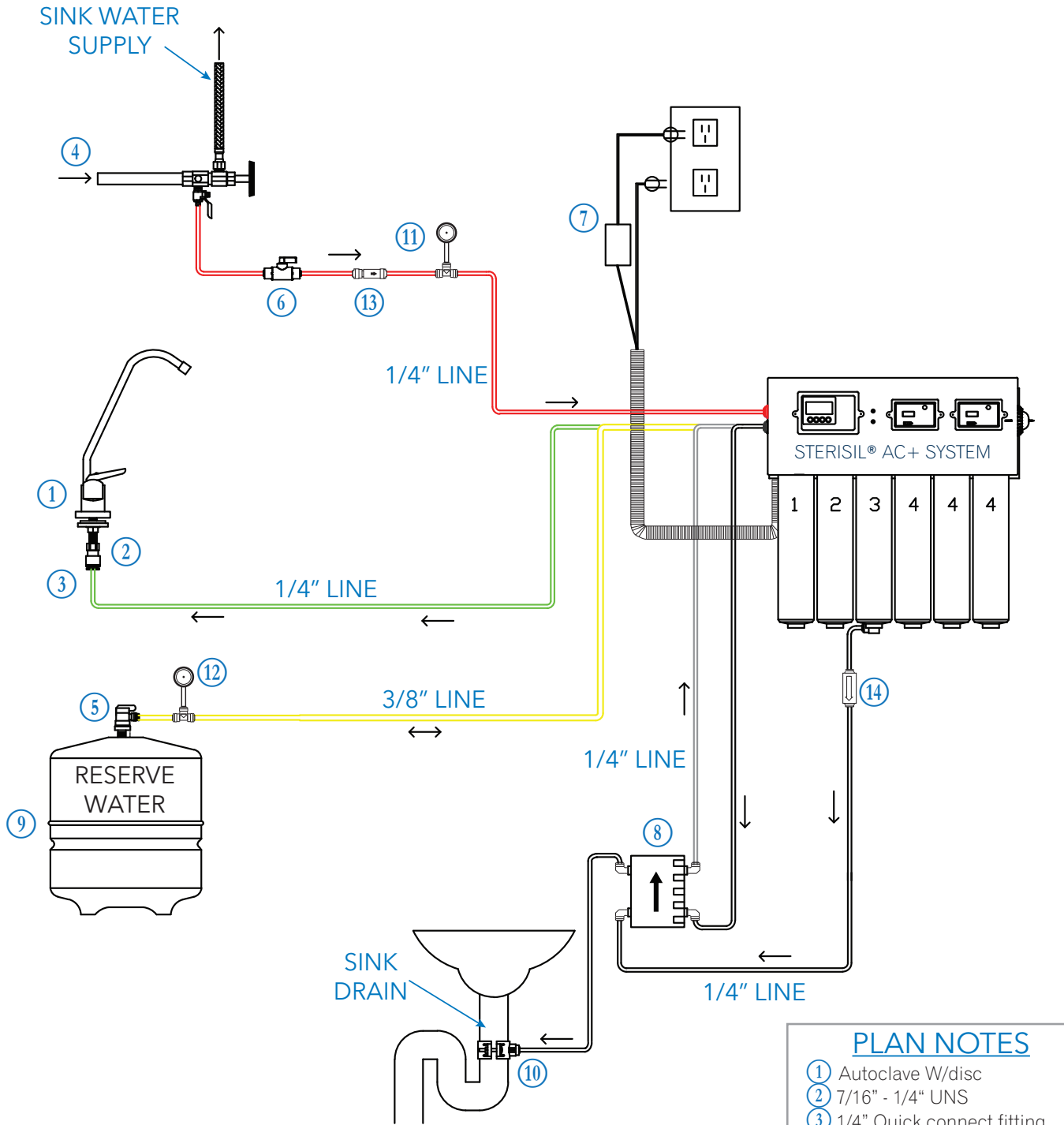
For the system to fit functionally in its mounting, it will require at least:

- 20" in length
- 9" in width
- 20" in height

These dimensions allow for 2" of space on all sides of the system.

Sterisil® Ac+System Specifications	
Minimum Pressure	65 PSI
Maximum Pressure	85 PSI
Minimum Temperature	45°F
Maximum Temperature	100°F
Faucets (2)	Sink with space for the faucet
Plumbing Drain	Standard sink or floor drain
Electrical Outlets	(1) Outlet 110V AC, 3 amp, GFCI, within 3' from system
Mounting Space	System: 20"L x 9"W x 20"H
Bladder Tank Space	Tank 2G: 12"H x 9"Dia Tank 4G: 15"H x 12"Dia Tank 10G: 21"H x 13"Dia Tank 14G: 23"H x 15.25"Dia

Standard Installation



PLAN NOTES

- ① Autoclave W/disc
- ② 7/16" - 1/4" UNS
- ③ 1/4" Quick connect fitting
- ④ Municipal coldwater feed
- ⑤ 3/8" tank valve
- ⑥ Inline ball valve
- ⑦ UV Ballast & electrical plug
- ⑧ Permeate pump
- ⑨ Reserve water tank
- ⑩ Drain saddle valve
- ⑪ 1/4" Pressure gauge
- ⑫ 3/8" Pressure gauge
- ⑬ Single check valve (SCV)
- ⑭ Flow restrictor

PHASE 1: UNPACKING AND INVENTORY

Carefully unpack the contents of the boxes. The standard Sterisil® Ac+ System configuration is shipped in two boxes. One box will include the Ac+ along with the installation manual, warranty registration card, system mount, and assorted bags containing other needed items for installation. The water storage tank will be shipped separately.

VERIFY THERE WAS NO DAMAGE DURING SHIPMENT. IF DAMAGE IS EVIDENT, CONTACT THE SHIPPING COMPANY IMMEDIATELY.

TOOLS

Tools required for installation:

- Phillips head screwdriver
- Standard open end/box end wrenches ranging from ½" to ¾"
- Small to medium size adjustable wrench
- Standard hex key set
- Box knife
- Hand drill
- Phillips driver bits
- Universal drill bits: sizes 1/8" to ½" standard
- Level
- Schrader valved pressure gauge
- Low volume air pump

INVENTORY ITEMS MAY VARY DEPENDING ON SYSTEM SELECTION AND SPECIFIC PARAMETERS.

BOX 1:

- Sterisil® Ac+ System
- System mount (slide or hinged)
- Bag: (Manual, packing list, faucet sticker, tank sticker and warranty card)
- 10 ft 3/8" tubing
- 40 ft 1/4" tubing
- Autoclave Faucet (white) w/ 1/4" to 7/16" faucet connectors
- Cartridges (Stage 1, 2, 3, 4 [x3])
- Permeate Pump
- Blank Cartridge, clip and mounting screws
- UV Light transformer
- Large bag: Drain Saddle Valve, thread tape, Permeate Pump clip, 1/4" pressure gauge, 3/8" pressure gauge, Flow Restrictor, modular coupler, stem elbow x3, Autoclave Disc, cables and RJ-12 connectors.
- Small bag: #10x1" mounting screws x8, sheet rock plastic anchors x8, supply tee, 1/4" Tank Ball Valve, 3/8" Tank Ball Valve, Inline Ball Valve and Single Check Valve.

BOX 2:

Reserve Water Storage Tank

PHASE 2: MOUNTING AND PERIPHERAL COMPONENTS

CONSIDERATIONS PRIOR TO MOUNTING

The location of your Sterisil® Ac+ System needs the following considerations:

- Distance to the water supply
- Leave enough slack in tubing to account for mounting configurations
- Accessibility to digital monitors
- UV Light replacement, allow 12" for clearance
- Cartridge clearance
- Distance to the electrical outlets
- Drain location for the brine line
- Placement location for the storage tank
- Type of system mounting device: Slide or Hinged mount

SLIDE MOUNT

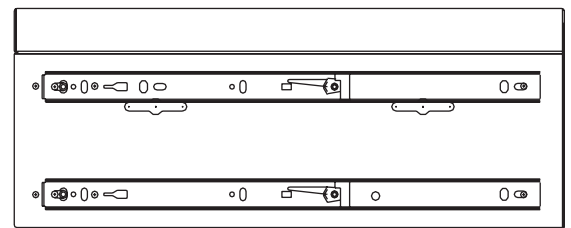
The system will come with the slides affixed in the correct direction for proper maintenance. Please consider the orientation of the slides and affixing the slide mount to the wall mounting plate before you start.

Affixing the Slide Mount to the Wall

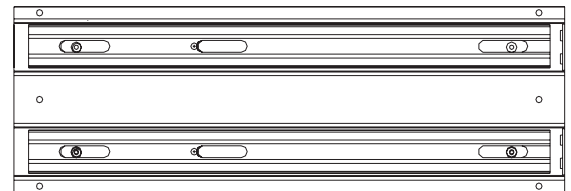
- Remove the system off of the slide mount.
- Take your slide mounting plate and mark your holes.
- Screw the mounting plate to the wall and ensure it is level.

Securing the Ac+ to the Slide Mount

- Take the system and line up the rails on the back of the system plate to the slides on the mounting plate. Slide the unit until you hear the rails snap into place.
- Verify it is level.



Back of System with slide rails installed



Front of Sliding Mount Plate

HINGED MOUNT

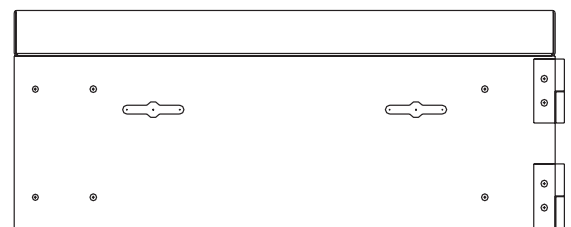
The system will come with the hinges affixed in the correct direction for proper maintenance. Please consider the orientation of the hinges and affix the hinged mount to the wall mounting plate before you start.

Affixing the Hinged Mount to the Wall

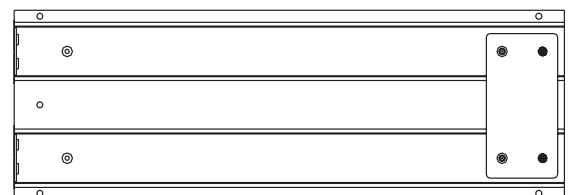
- Remove the System from the mount.
- Take your hinged mounting plate and mark your holes.
- Screw the mounting plate to the wall and ensure it is level.

Securing the Ac+ to the Hinged Mount

- Take the system hinges and affix them to the side of the mounting plate. Push to establish a connection.
- Verify it is level.



Back of System with Hinge Plates installed



Front of Hinged Mounting Plate

PERIPHERAL COMPONENTS



Peripheral components - No more than 50 feet from the system.

WATER STORAGE TANK

Storage tank size may differ with customer specifications and needs. Note: tank sizes will vary depending on pre-install requirements. The tank must be mounted within 50 feet of the system to maintain optimal water pressure. Set the storage tank in the desired location. A common location is under a sterilization center sink.

- Locate the tank and wrap the threads on top of the tank with thread tape (included).. Install the 3/8" valve and hand tighten it to the tank. Do not over tighten this valve.
- Ensure the pressure of the tanks is between 8–10 psi using a Schrader valved pressure gauge.
- Write the date installed in the designated space on the tank label.

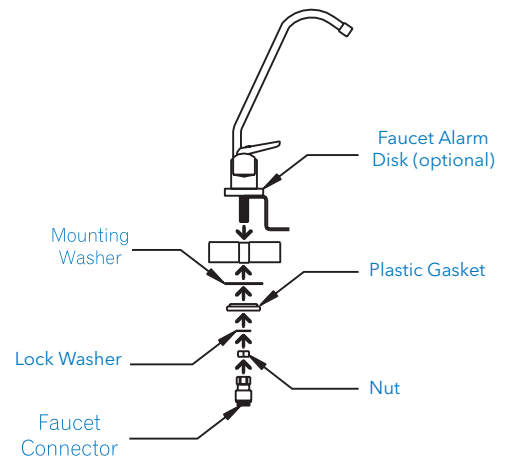
FAUCET INSTALLATION

The system includes a white Autoclave Faucet. Typical mounting location is on a counter-top extended over a sink.

COUNTER-TOP MOUNT

Faucet assembly instructions are located on the back of the faucet box.

- Do not use the compression fittings provided. Instead, use the provided push-fit 1/4" to 7/16" faucet connectors.
- Drill a 5/8" hole at the desired location.
- Place the faucet through the hole and mount using the hardware (included).
- Place the under-sink mounting washer, plastic gasket, lock washer, and install the nut (included in box) and hand tighten.
- Wrap the threads with thread tape, and install faucet connectors.



PHASE 3: CARTRIDGES

- Remove the yellow cap from the top of the cartridges, and write the install date with a permanent marker.
- Start by inserting the cartridges into the system from left to right beginning with Stage 1. Please note, there are three Stage 4 Cartridges. They will all be positioned interchangeably in ports 4 through 6.
- Once all cartridges are installed, remove the brine plug from the bottom of the Stage 3 Cartridge.
- Install the stem elbow.
- The bottom of Stage 3 will be used in future installation steps.
- Mount the Blank Cartridge clip on the wall near the system and place the Blank Cartridge in the clip.
- Please note, the Blank Cartridge is essential for troubleshooting possible blockages inside the system.

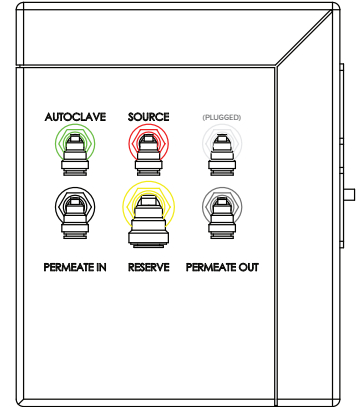
PHASE 4: SOURCE WATER AND TUBING

Ensure the source water to the Sterisil® Ac+ System remains closed until the procedure calls for it to be turned on.

SOURCE WATER CONNECTION

Supply Tee

- Turn off the water on the municipal supply line.
- Remove the existing hose, wrap the supply tee threads with thread tape, and install the supply tee on the cold water supply. Tighten the tee with a wrench. Hot water should not be used to feed the Sterisil® Ac+ System. For now the main valve will remain closed.



TUBING CONNECTIONS

To make a connection with quick connect fittings, simply push the tubing into the fitting until it stops. When making cuts, be sure to cut at a right angle to the tubing itself, and inspect the ends for burrs. Be sure to factor any movement in the system into the tubing length so as to not put tension on ports or components.

Source Water: (Supply Tee to Source Port) (Red fitting indicator)

OPTIONAL ADD-ONS: Booster Pump and Pre-filter Kit, see pages 10-11.

- Insert the white 1/4" tubing into the supply tee. The other end of this tubing will run to the "SOURCE" port on the side of the system.
- Cut the tubing and install a 1/4" Inline Ball Valve.
- Cut the tubing and install Single Check Valve (SCV) on this line.

Autoclave Port: (Green fitting indicator)

- Run 1/4" tubing from the green "AUTOCLAVE" port on the system to the white Autoclave Faucet.



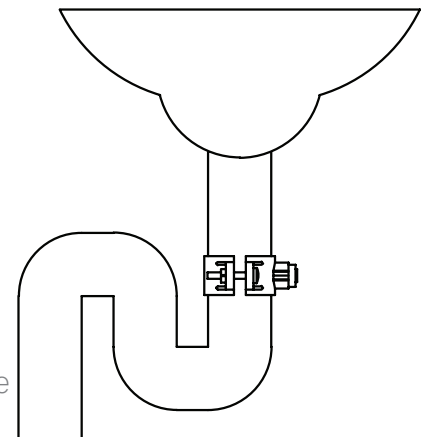
Permeate Pump:

IMPORTANT: The Permeate Pump must be mounted with the long arrow pointing up. The Permeate Pump will not function properly if positioned sideways or upside down.

- Run 1/4" tubing from bottom of Stage 3 to "BRINE IN" on the Permeate Pump.
- Cut and insert the Flow Restrictor with the arrow pointing towards the Permeate Pump.
- Run 1/4" tubing from "BRINE OUT" on the Permeate Pump to Drain Saddle Valve (DSV).
 - Note: If you have a floor drain that is accessible, you can always run tubing straight from the "BRINE OUT" port on the pump to the floor drain. If not, you will need to install the DSV on an existing drain pipe. Ensure tubing is secured into the drain.
- Run 1/4" tubing from "PERMEATE IN" on the Permeate Pump to black "PERMEATE IN" port on the System.
- Run 1/4" tubing from "PERMEATE OUT" on the Permeate Pump to grey "PERMEATE OUT" port on the System.

Drain Saddle Valve (DSV):

- Start by marking the drain pipe where you intend to drill your 1/4" hole. The DSV will need to be before or after the peatrap.
- Attach the gasket and mount the saddle valve with the provided nuts and bolts to the drain pipe.
- Once the DSV is properly mounted remove the gray collet from the hole.
- Drill through the hole into the drain pipe.
- When you drill the hole, be sure not to drill through the other side of the drain pipe.
- Clear any metal shavings from the hole, then reinsert the collet.



- Run 1/4" line from "BRINE OUT" on the Permeate Pump to the DSV.

Reserve Port: (Yellow fitting indicator)

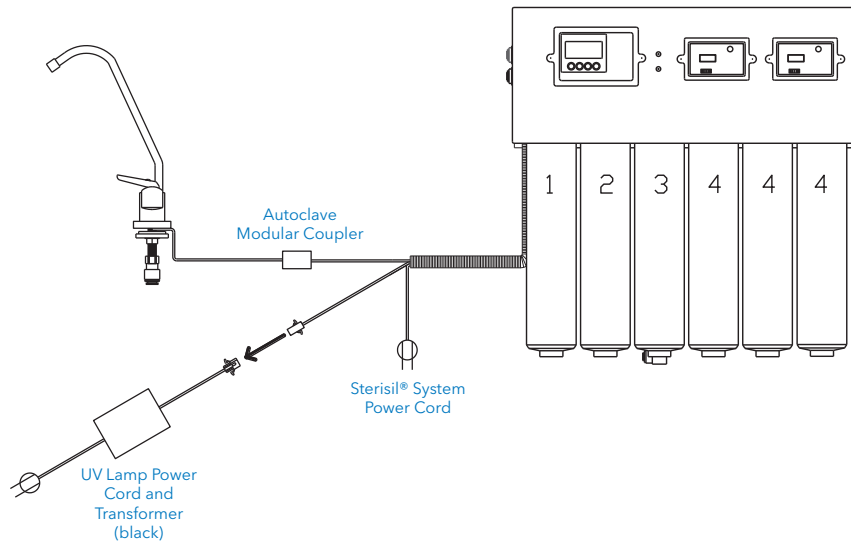
OPTIONAL ADD-ONS: Pressure switch from Booster Pump, see page 11.

- Run a 3/8" line from the yellow "RESERVE" port on the system to the 3/8" Tank Ball Valve on the Reserve Water Storage Tank.
- Cut the tubing and insert the 3/8" pressure gauge, as close to the tank as possible.

PHASE 5: ELECTRICAL AND OPERATIONAL TEST


ELECTRICAL

Connect all flat, 4-wire data standard power cords using color code and labels attached to the wires.



OPERATIONAL TEST

At this point, the Storage Tank Valve should be closed; meaning the ball valve knob is turned perpendicular with the tubing going in.

- Plug in the UV Light Transformer and verify the light is functional. There will be a slight blue/purple glow.
- Open the Source Water Valve at your municipal supply.
-  Confirm source water pressure is above 65 PSI and below 85 PSI.
- Leave tank closed.
- Turn on the Autoclave Faucet, and wait for water. Check for leaks, then turn off the faucet.
- Open the Reserve by turning the tank ball valve knob in line with the tubing. The tank will slowly begin to fill. Allow at least four hours for pressurization.
- After four hours, open the valve at the white Autoclave Faucet, and start running water. At this point, you should be looking for leaks anywhere in the system and connecting tubing. Once you have water at the faucet and confirmed there are no leaks, run for 2–3 minutes, then close the faucet.
- Allow at least 8–12 hours for the tanks to completely fill.
- Check RO Quality Monitor and DI Quality Monitor readings.
- Ensure the Filter Monitor is set properly. Refer to the Maintenance Manual, pg. 12, and the Ideal Readings and Operation document at www.sterisil.com/ac-acplus.

OPTIONAL ADD-ONS

PRE-FILTER (OPTIONAL COMPONENT)

Considerations:

Account for a minimum of 2" clearance at the bottom for future filter replacements.

Location of Pre-filter and Inline Ball Valve diagram is on page 11.

- Turn off your source water.
- Find a location where you can drive the screws for the bracket into the wall that will reach both your source water line and your Sterisil® Ac+ System source line.
- If you have a Sterisil® Booster Pump, the Pre-filter Kit will go before the Booster Pump on the source water line. (Reference pg. 11)
- Use a 15/64" to 1/4" drill bit to drill holes in which to put the anchors.
- Drive the #10 screws into the anchors through the holes in the metal mounting bracket.
- Use the thread tape to cover the threaded end of the push-in fitting adapters.
- Twist the two quick connect fitting adapters into the two holes on the lid of the filter housing.
- Attach the filter housing to the mounting bracket using the screws provided.
- With towels ready to catch any leaking water, make a clean square cut on the source line using a tube cutter or sharp knife. Note: If the cut is jagged, the connection will not be secure and may leak. At the "IN" on the Pre-filter lid, insert the source water line. At the "OUT" on the Pre-filter head, insert the water line to the system. Make sure the tubing is fully connected. You should feel it lock into place, and you should not be able to pull it loose or have it slip out.
- Make a cut on the incoming line, and install your inline ball valve with the valve in the open position.
- Turn your source water back on.
- Check for any leaks. If there are any leaks, confirm all connections are attached securely.
- Turn your source water back off. Place one of the sediment filters in the housing, and turn your source water back on.

CHANGING THE FILTER

Please consult with your Sterisil Dental Water Compliance Specialist to confirm your replacement interval. Mark your calendar for the specific interval.

- Close the inline ball valves before and after the housing.
- Purge the pressure from the filter housing by depressing the red button on the top of the lid.
- Unscrew the water reservoir lid to access and replace the micron filter inside.
- Reassemble and open the inline and source water valves to restore flow to the system.
- Visually confirm water is flowing freely.

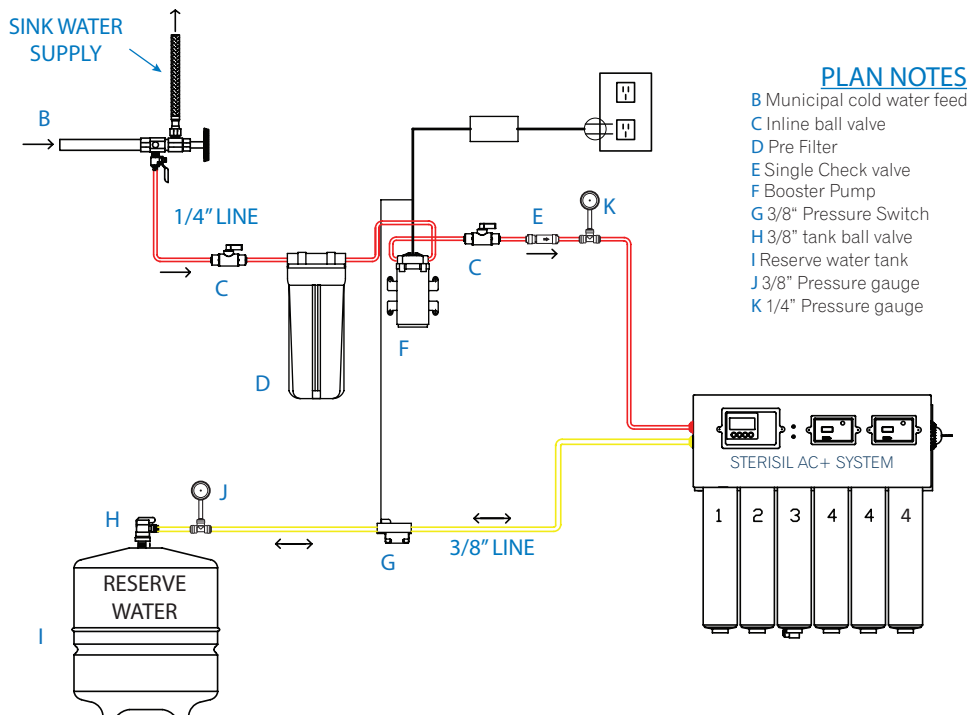
BOOSTER PUMP (OPTIONAL COMPONENT)

Considerations:

- Electrical cord length and transformer.
- Pressure Switch: Ensure it is no more than 3 feet from the Storage Tank and Booster Pump. If you have a Pre-filter Kit, install it before you install the Booster Pump.
- There are arrows on the pump to show the direction of water flow, right to left.
- Mounting on a wall is optional. The pump can also be placed on the ground.
- DO NOT plug in the power cord until you have water flowing to the pump.

Installation Steps:

- Turn off the source water and ensure both tanks are closed.
- Find a location where you can reach the source water tubing with the Booster Pump and the 3/8" reserve line with the pressure switch. The pressure switch is installed on the "Reserve" line.
- Use a 15/64" to 1/4" drill bit to drill the pilot holes.
- Screw the #8 screws into the anchors through the holes on the Booster Pump.
- Make a clean square cut on the source line using a tube cutter or sharp knife. This cut should be close to the Pre-filter Kit if included. There are arrows on the Pump to show the direction of water flow. Insert the end coming from the municipal water source into the intake of the Booster Pump. The other end of the tubing will go into the outlet on the Booster Pump. Push tubing until it is fully inserted into each fitting.
- On the "Reserve" line, make a clean, square cut as close to the Reserve Tank as possible. Your Pressure Switch will fit into this line. Push tubing until it is fully inserted into the fittings on the Pressure Switch. This Switch is multidirectional.
- The Pressure Switch will connect to both the white ballast and the power cord on the Booster Pump.
- Turn your source water back on, plug in the power cord and run autoclave water for 60 seconds.
- Check for leaks. If there are leaks, ensure the pieces are properly connected.



MAINTENANCE MANUAL

ANNUAL KIT (P/N: AC+AK)

Stages 1, 2, 3, and the UV Light's lifespan are chronological and are replaced annually from the date of installation. Their lifespan is tracked via the Filter Monitor on the far left side of the system. When properly programmed, the Filter Monitor tracks the remaining months of the cartridges and UV Light life.

STAGE 4 CARTRIDGES [P/N: AC+C4 OR (AC+DI: AC+C4 x3)]

Stage 4 Cartridge readings are based on the quality of water coming off them. Water quality readings can be found on the far right monitor. When the reading on the Water Quality Monitor degrades to 10ppm on D1, the audible alarm will sound, and the "Autoclave Water Quality" indicator lights on the front of the system and at the white Autoclave Faucet Disc, will illuminate red. At this point, the leading (left-most) Stage 4 will need to be changed.

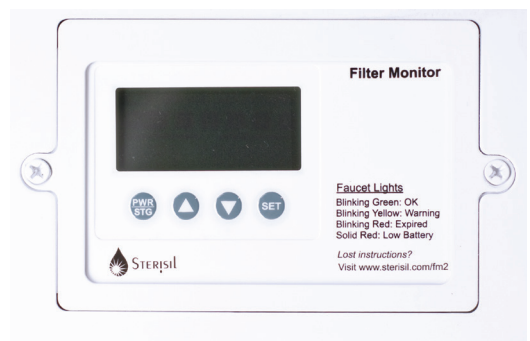
LOG READINGS (METHODOLOGY)

Because much of the system health is based on rates of reduction, it is important to log and monitor water quality readings. Notating the water quality readings for the Source, RO, D1, and D2 will expedite a solution if the need arises to contact Sterisil® customer service.

FILTER MONITOR (FAR LEFT)

The Filter Monitor, when properly programmed, tracks the remaining lifespan in months for stages 1, 2, 3, the UV Light. Month counts will always descend from a 12 month starting point. When the month count reaches 0, an audible alarm will sound and the word "change" will appear in the upper portion of the Filter Monitor. At this point, Cartridges 1-3 and the UV Light will need to be changed.

When the batteries in the Filter Monitor are ready to be changed, the system will beep intermittently, and a battery icon will appear in the upper center of the Monitor display.



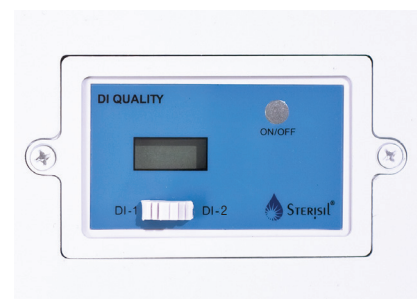
RO WATER QUALITY MONITOR (CENTER)

The RO Monitor gives both source and RO water quality readings. To get the source water quality, ensure the Monitor is on with the white switch in the left hand position. To get the RO reading, ensure the Monitor is on with the white switch in the right hand position. To attain the most accurate reading, run the water for 30 seconds prior to taking the reading.



DI WATER QUALITY MONITOR (FAR RIGHT)

The DI Quality Monitor gives water quality readings for all Stage 4 Cartridges. DI-1 refers to the leading (left-most) Stage 4 Cartridge. To get the water quality reading for DI-1, ensure the Monitor is on with the white switch to the left. DI-2 refers to the secondary (right-most) Stage 4 Cartridge. To get the water quality reading for DI-2, ensure the Monitor is on with the switch to the right.



STEP BY STEP FILTER REPLACEMENT INSTRUCTIONS

Thanks to internal valving, cartridge change outs are simple and easy. It is not necessary to shut off the source water from the supply tee. Water flow is automatically shut off when a cartridge is removed. Please have a towel nearby for excess water in cartridges.

IMPORTANT: After installing the new cartridges and UV light, please read the Monitor Reset Instructions to properly reset the Filter Monitor.

1. Before removing a cartridge, place a large "X" on the cartridge to be replaced to avoid any confusion when the new cartridge is introduced.
2. If you are changing the Stage 3 Cartridge, it will be necessary to remove Stage 1 and close the Reserve Storage Tank before replacing. To fully unscrew the Stage 3, remove the stem elbow from the bottom of the cartridge. Simply push in on the collet and pull out on the stem elbow to remove. You will reinstall the stem elbow by pressing the fitting into the collet once the new Stage 3 Cartridge is in place.
3. To remove a cartridge, rotate counter clockwise until the cartridge is free of the valve head. A small amount of water may escape during this process. Don't panic, this is normal.
4. Before placing a new cartridge in the system, write the installation date in the space provided on the label. Remove the yellow cap from the top of the cartridge, and rotate the cartridge clockwise into the valve head to secure it. Ensure cartridge is fully screwed in.
5. Reprogram the Filter Monitor. Reference Reset Monitor Instructions located at www.sterisil.com.
6. The final step when changing cartridges is to run water for 60 seconds. For change outs on Stages 1-4, close the Reserve Tank and run the autoclave water.
7. Open all tanks to finish.
8. Cartridges can either be discarded in the trash or returned to Sterisil® for recycling. For more information on our recycling program visit sterisil.com/recycle.

REPLACING THE UV LIGHT

1. Unplug the bulb from the unit. Do not look at the light when on. The ultraviolet light can cause eye damage.
2. Use a flat head screw driver to pry out the white/clear piece and remove light.
3. Insert the new bulb until it clicks into place.

IMPORTANT: Do not touch the bulb. Grease from hands can cause damage to the lamp.

LIMITED WARRANTY

Sterisil® warrants the Sterisil® Ac+ System to be free from defects in parts, materials, manufacturing, or labor for a period of one year after the device is placed in service by the end user (the "Warranty Period"), and on select electrical components from the date of Sterisil's Purchase. This Limited Warranty does not include user replaceable parts required for routine maintenance of the product or damage resulting from abuse or neglect of the product, and covers only use of the product for its intended purpose, and not for any other use. End users should contact Sterisil® or an authorized distributor for claims arising during the Warranty Period. Sterisil® reserves the right to repair or replace, in its discretion, any product that may exhibit a defect during the Warranty Period. Please note that the bladder tanks need to be replaced approximately every 2 years.

EXCEPT FOR THE FOREGOING LIMITED WARRANTY, ALL Sterisil® PRODUCTS ARE SOLD "AS IS." THE FOREGOING LIMITED WARRANTY IS EXCLUSIVE AND IN LIEU OF ALL OTHER WARRANTIES, EXPRESS OR IMPLIED, INCLUDING BUT NOT LIMITED TO THE IMPLIED WARRANTIES OF MERCHANTABILITY AND FITNESS FOR A PARTICULAR PURPOSE.

Sterisil® shall not be liable to any user of any product, or any other person, for any indirect, special, incidental, exemplary or consequential damages (including, without limitation, lost profits) resulting from use or inability to use any Sterisil® product, arising from any cause of action whatsoever, including contract, warranty, strict liability, or negligence, even if Sterisil® has been notified of the possibility of such damages. Under no circumstances shall the liability of Sterisil® to the user or any other party exceed the purchase price of the product. No action under the foregoing limited warranty may be brought more than one (1) year after the expiration of the Warranty Period. Exclusive subject matter and personal jurisdiction for all disputes arising under this Limited Warranty shall be in the El Paso County District Court in Colorado Springs, Colorado.



835 S. HWY 105, SUITE D
PALMER LAKE, CO 80133
719 622 7200 | WWW.STERISIL.COM