

Annual Kit Replacement Instructions

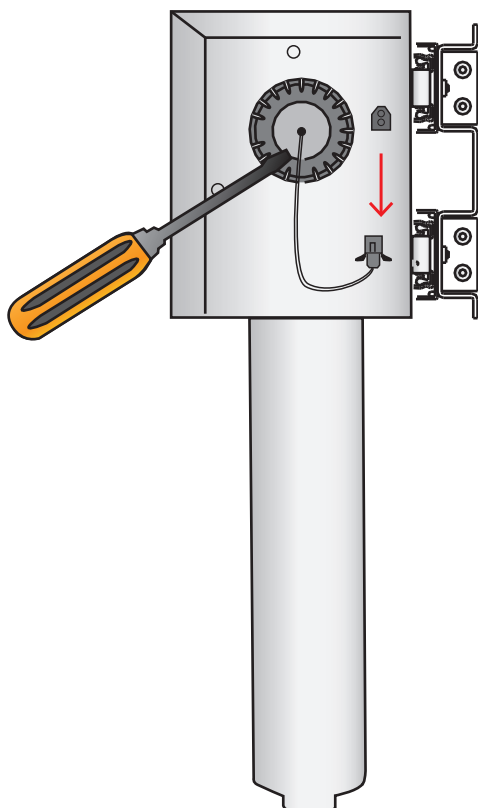
Stages 1, 2, 3 and the UV Light (SS-AK)

1 Unscrew Stage 1 and 2 cartridges. Water flow will stop automatically.

2 Remove the drain line on Stage 3 before unscrewing the cartridge. Push down on the compression fitting and pull out on the drain tube.



Dispose of cartridges in regular trash disposal



3

Unplug the UV Light plug from the System.

Use a flat head screw driver to pry out the grey/clear piece to pop out the UV bulb.

Insert new bulb and click into place.

IMPORTANT: Do not touch the bulb.

Grease from hands can cause damage to lamp.

NOTE: After installing the new cartridges and UV light, please read the Monitor Reset Instructions to properly reset the Filter Monitor

