



Annual Kit Replacement Instructions

Stages 1, 2, 3 and the UV Light (AC+AK)

1. UNSCREW STAGE 1 AND 2 CARTRIDGES.

Water flow will stop automatically.

2. REMOVE THE DRAIN LINE ON STAGE 3 BEFORE UNSCREWING THE CARTRIDGE.

Push down on the compression fitting and pull out on the drain tube.

Dispose of cartridges in regular trash disposal.

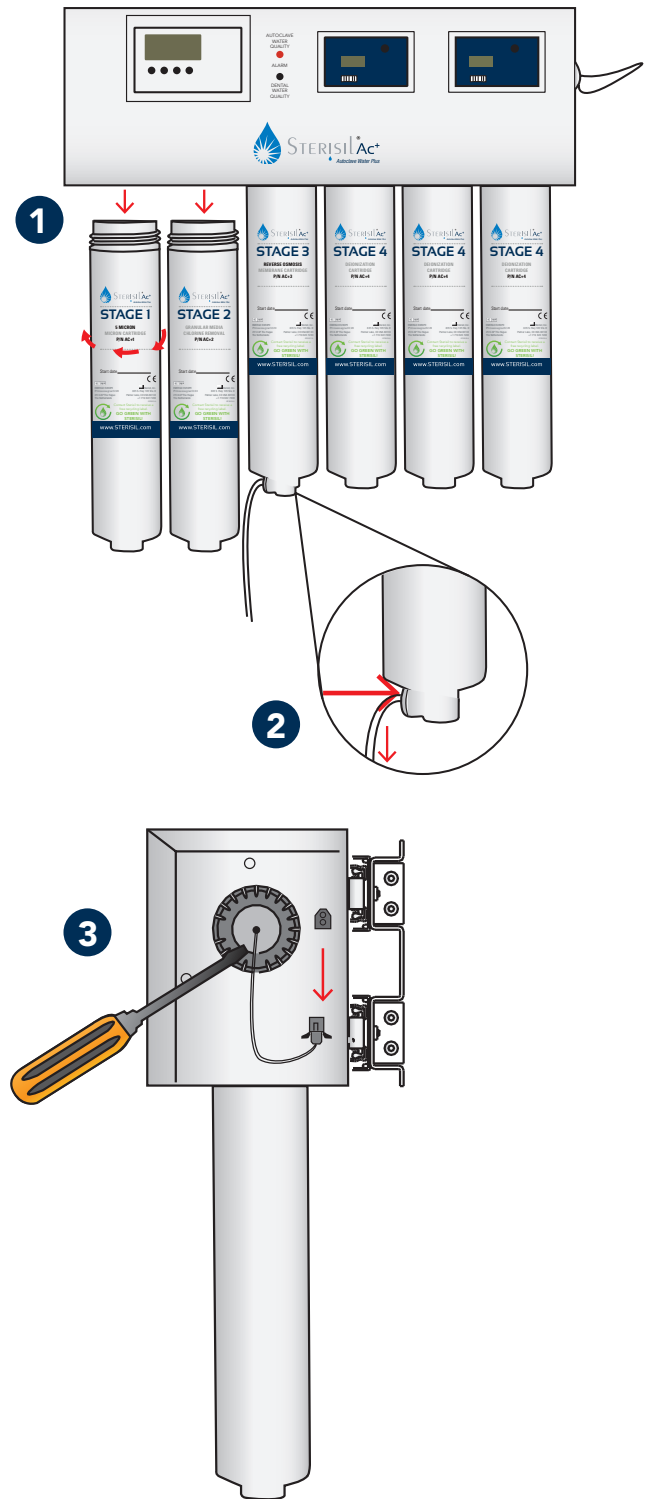
3. UNPLUG THE UV LIGHT PLUG FROM THE SYSTEM.

Use a flat head screwdriver to pry out the gray/clear piece to pop out the UV bulb.

Insert the new bulb and click into place.

IMPORTANT: Do not touch the bulb. Grease from hands can cause damage to the lamp.

NOTE: After installing the new cartridges and UV light, please read the Filter Monitor Reset Instructions to properly reset the monitor.



GP7003.B

For more information contact your **Sterisil® sales representative or local dealer.**



719 622 7200 or online at Sterisil.com

