

CLEAN WATER DOESN'T JUST APPEAR



Sanitary Operator

Superior Water Quality

Virus Removal

Bacteria Removal

Cysts Removal

Odor & Taste Improved

Save Money - No Tablets

Easy to use

Low Maintenance

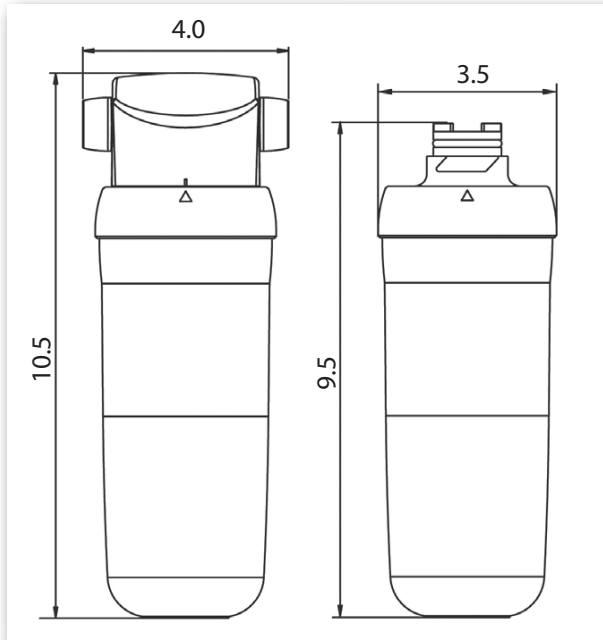
Easily meets ADA (cfu) guidelines

HOW WELL DO YOU KNOW YOUR WATER?

Build your Confidence with the WaterPurifier+

In partnership with global water treatment leader Norit, SolmeteX Dental engineers have selected a non-intrusive, technologically superior solution designed with the operational constraints of a busy dental office in mind. This unique technology combines membrane filtration with advanced activated carbon adsorption to virtually eliminate viruses and bacteria from your incoming water source. Using the WaterPurifier+ will give you the confidence that you are providing your staff and patients with high quality and safe water.

WaterPurifier⁺



Dental Water Purification Technology

Advantages of the WaterPurifier⁺

- Remove 99.99% of viruses (>4-log)
- Remove 99.9999% of bacteria (>6-log)
- Reduce water odors and sediment
- Improve taste by chlorine reduction
- NO distilled water needed
- NO addition of difficult to dissolve tablets
- Cost effective solution
- Suppress formation of biofilm
- Supply dental unit water quality <1 cfu/ml (under controlled conditions)
- Easy to install and maintain
- Automatically shuts off water supply when changing filter – spill free
- Designed to last 12 months based on NSF Certification¹

¹ Individual results may vary based on incoming water quality

Is There A Concern about Water Quality? A recent study by the N.Y. Times (2009) shows that 40% of the Nation's community water systems violated the Safe Drinking Water Act at least once! That's an astonishing 500,000 violations by municipalities alone.

Is there a quality standard for dental unit water quality?

The Environmental Protection Agency (EPA), the American Public Health Agency (APHA), and the American Water Works Association (AWWA); they have set limits for heterotrophic bacteria of <500 CFU/ml of drinking water. Thus, the number of bacteria in water used as a coolant/irrigant for nonsurgical dental procedures should be as low as reasonably achievable and, at a maximum no more than 500 CFU/ml. During oral surgical procedures, only sterile water must be delivered to patients.

How does the WaterPurifier⁺ improve dental unit water quality? Simply mount under a cabinet to treat the incoming cold water to the operator. By using the WaterPurifier⁺ to fill your self contained water bottle each morning, you'll have purified the water that will come in contact with your patient. The WaterPurifier⁺ will supply your operatory with water that exceeds all EPA and State standards for purity as well as reducing water odors that may have been present before treatment.

Maintenance is easy!

When the flow rate is noticeably slower, simply turn the filter element, remove and replace.

